

# KBice Self-Dispensing Nugget Ice Maker Dispenser

QuickStart Guide — FDFM1JA02

## INSTALLATION

### Clearance Requirements

#### CAUTION

This unit is designed for household countertop use only.  
Never block the air vent on the left side.  
The unit operates in an area with a maximum ambient temperature of 85°F. Therefore, the warmer ambient temperature will result in reduced ice capacity and quality.  
Never operate this unit in direct sunlight.  
Allow for a minimum clearance of 4 inches on both left and right sides, 2 inches on the back, and ½ on the top to ensure the proper functionality of the unit.

Scan here for instructional video:



### Electrical Requirements

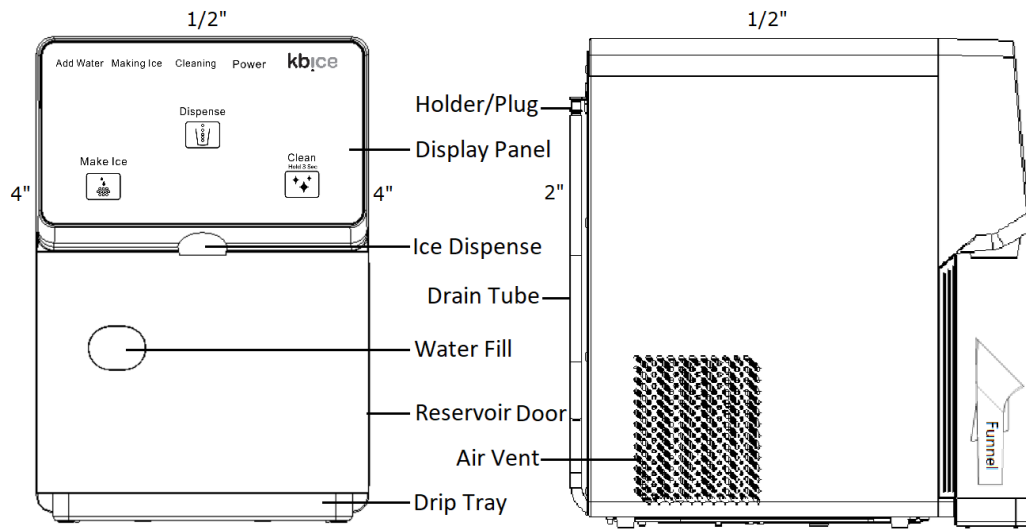
#### DANGER

This unit requires that you connect only to a GFCI protected receptacle.  
Strongly advised that you do not use an adapter to connect this unit because of safety hazards.  
A dedicated 120V, 60Hz, 15A fused, grounded electrical supply is required.

### Water Requirements

#### TDS

This unit requires purified or distilled water, which significantly improves the ice quality and ice making performance. Water with a TDS or hardness of <100 PPM is also acceptable. Water with over >100 PPM will cause the unit to go into "Cleaning" Mode frequently and not produce ice.

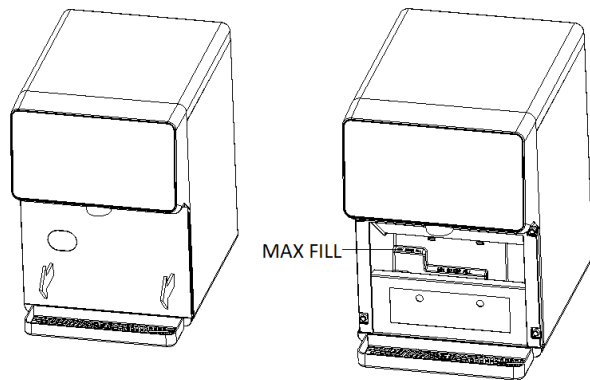


(The funnel is located inside the reservoir)

# USE OF DISPENSER

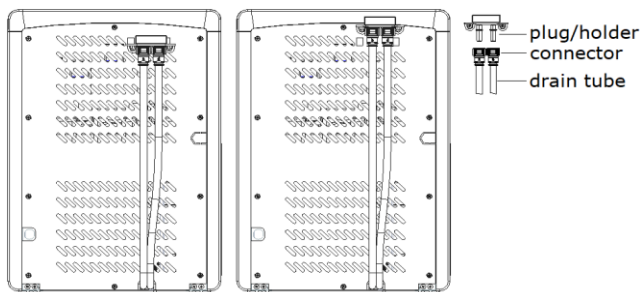
## 1. Filling the water reservoir for the 1st time use

- Remove the reservoir door by simultaneously pulling both the left and right sides towards you.
- Add water to MAX WATER FILL and then replace the door.
- **Do not plug the unit into power until you have filled water to the max fill line.**



## 2. Flushing the unit for the 1st time use

- Plug the unit into power and the Power LED will illuminate. Add Water LED will flash quickly with 5 beeps if the water reservoir is full.
- Press and hold the Clean button for 3 seconds to start the cleaning cycle for flushing process. The Cleaning LED will illuminate (it takes 30 minutes to complete and the Cleaning LED goes off).
- Unplug the unit when the flushing process is complete.
- Unhook the plugs/holders with drain tubes out of the unit back and lower them to a bucket or sink.
- Press and hold the release button to disconnect the plugs/holders to release water.
- Reconnect and hook them back to the unit.

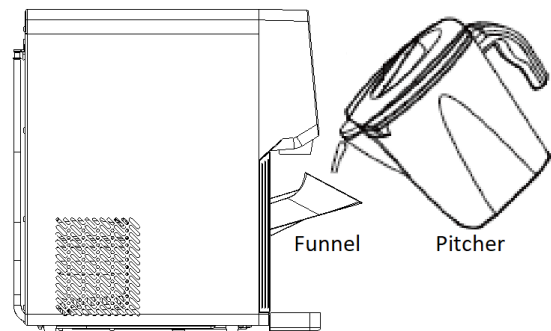


## 3. Making ice for the 1st time use

- Add water to MAX WATER FILL following instructions above.
- Plug the unit into power and the Power LED will illuminate. Add Water LED will flash quickly with 5 beeps if the water reservoir is full.
- Press the Make Ice button once to start making ice. The Making Ice LED will illuminate to indicate the unit is currently making ice.

## 4. Using the funnel to add water

- Add water when the Add Water LED illuminates.
- Insert the funnel into the water fill port.
- Add water until the Add Water LED flashes quickly with 5 beeps and then goes off.
- Remove the funnel to close the fill port.



## ADD WATER

Do NOT add water until the Add Water LED illuminates. Overfilling the reservoir may lead to water overflowing when ice melts completely.

## CLEAN UNIT

Clean the unit once a month with a solution to prevent scale buildup. Add 12 teaspoons of citric acid or 1 cup of white vinegar.