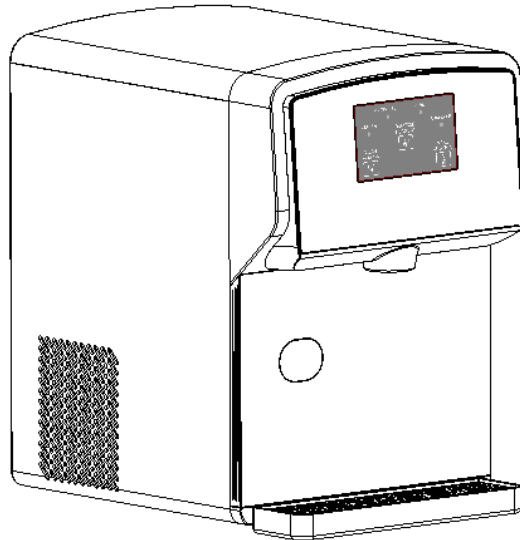




USER INSTRUCTIONS

Portable Nugget Ice Dispenser

FDFM1JA01



Safety Instructions -----2

Features & Specifications -----4

Dispenser Use -----6

Dispenser Care -----10

Installation Instructions -----14

Troubleshootings -----15

Service & Warranty -----16

GENERAL OPERATING INSTRUCTION

Read these instructions before use and save them for future reference. Let the unit rest and remain unplugged for 24 hours before use.

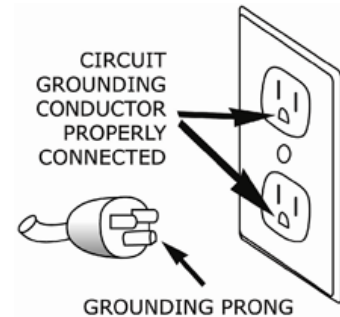
- Remove all external and internal packaging materials. Be sure that all parts have been included before discarding any packaging materials. You may want to keep the packaging materials for use at a later date.
- Contact customer service at 800-433-9938 or info@kbgoodice.com.

SAFETY INSTRUCTIONS

Electrical Safety

DANGER	Improper use of the power cord plug can result in the risk of electrical shock, property damage and personal injury or death. Unplug the unit or disconnect power before performing any maintenance. Upon receipt and inspection of the unit the power cord must be replaced if it is damaged.
---------------	---

- This appliance is equipped with a 3-prong grounding-type plug and shall be plugged into a properly connected grounding-type outlet.
- It is required to use a 3-prong grounding-type electrical outlet properly grounded in accordance with the National Electrical Code and local codes and ordinances.
- A separate adequately fused and grounded circuit shall be used for this appliance. The voltage rating must match the rating label on the unit.
- Do not use an adapter or an extension cord.
- Do not under any circumstances cut or remove the third ground prong from the power cord.
- Never unplug the appliance by pulling the power cord. To disconnect the unit always grip the plug firmly and pull straight out from the wall outlet.
- Do not operate the appliance if the appliance housing is removed or damaged.
- Do not attempt to repair or replace any part of your appliance unless it is specifically recommended in this manual. All other servicing shall be referred to a qualified technician.
- To protect against electric shock do not immerse appliance plug or cord into water or other liquids.



Child Safety

- Exercise caution and use reasonable supervision when appliance is used near children. Never allow children to operate the unit. Keep packing materials away from children.
- Keep fingers out of dispense point area.

Cleaning Safety

DANGER	To reduce the risk of injury when cleaning your appliance, follow these basic precautions.
---------------	---

- Unplug the appliance or disconnect power before performing any

maintenance.

- Do not clean appliance with flammable fluids. Do not store or use gasoline or other flammable vapors or liquids in the vicinity of this or any other unit. The fumes can create a fire hazard or explosion.
- Do not use solvent-based cleaning agents or abrasives on the interior or exterior of the appliance. These cleaners may damage or discolor the appliance.
- Do not operate the appliance with wet hands, while standing on a wet surface, or while standing in water.

Disposing Safety

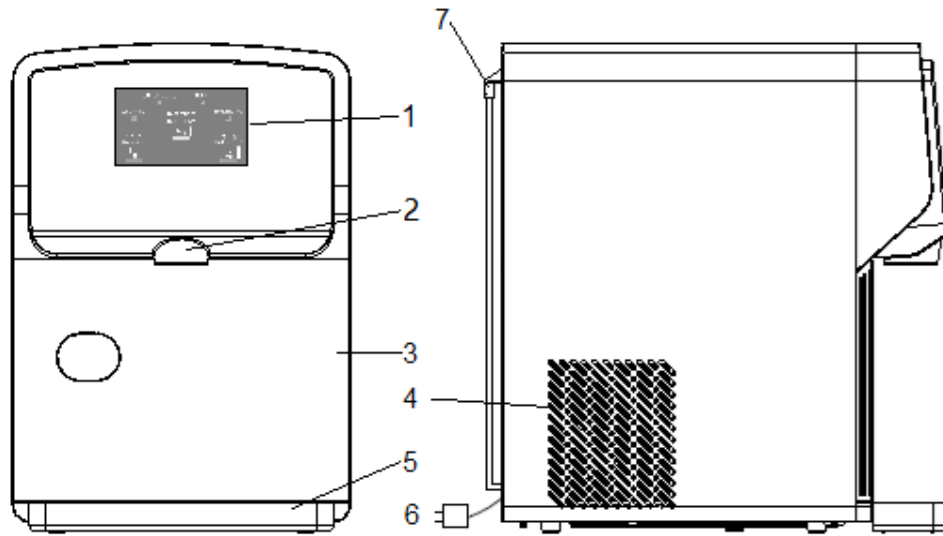
CAUTION	When disposing of refrigeration appliances, special handling is often required. It is the consumer's responsibility to comply with federal and local regulations when disposing of this product.
----------------	---

FEATURES & SPECIFICATIONS

Overview

This self-dispensing portable ice dispenser allows you to enjoy chewable ice with the touch of a button. Water fill through push-to-open port or removable door makes it portable and easy to use. It is perfect for the nugget ice enthusiasts and great for use in the home, at the pool or behind a bar.

Features and Parts



- 1. Display Panel**
- 2. Ice Dispense Point**
- 3. Water Fill Port**
- 4. Air Vent**
- 5. Water Drip Tray**
- 6. Power Cord**
- 7. Drain Tube Plugs/Holder**

- This self-dispensing portable ice dispenser allows you to enjoy chewable ice with the touch of a button.
- The built-in ice engine can quickly make nugget ice within only 15 minutes and produce up to 24 lbs of ice per day.
- Self-cleaning and self-descaling programs can keep the unit in a good sanitary and operational condition all the time.
- Push-to-open port or removable reservoir door provides you with the convenience to fill water.
- Detachable drain tubes are easy to use and no plumbing is required.
- Stainless steel front face and gloss black body give a sleek and modern appearance.
- Less than 17.5 inches in height allows for installations on any counters and tables.

Specifications

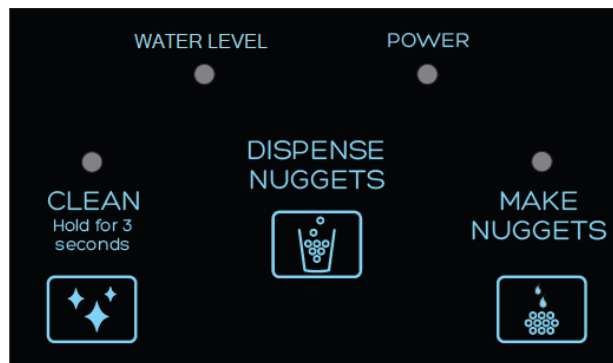
Product	Portable Nugget Ice Dispenser
Model No	FDFM1JA01
Ice Type	Chewable Nugget Ice
Ice Production Capacity (75°F Air)	24 lb / 24 h
Ice Storage Capacity	2 lb
Ice Dispensing	Touch Button
Drip Tray	Magnetically Detachable
Drain Plumbing	Not Required
Water Supply	Manual Fill
Water Fill	Push to Open Port or Removable Door
Touch Buttons	Make Ice, Clean, Dispense Ice
LED Notifications	Make Ice, Clean, Water Level, Power
Operating Temperature	50~90 °F
Electrical Rating	115V/60Hz/2.5A
Refrigerant	R600a
Installation	Countertop
Unit Dimensions	12"W x 16" D x 17-1/2"H
Net Weight	40 lb

DISPENSER USE

NOTE	Flush the unit with clean potable water once a week to prevent high water TDS and hardness. Descale the unit with citric acid once a month to prevent sediment buildup. Sanitize the unit with chlorine bleach twice a month to prevent bacteria growth.
-------------	---

NOTE	Use potable water only. Use purified water to improve ice making performance. Water TDS level must be 5~100 mg/L (PPM). Water Hardness must be no greater than 50 mg/L (3 grains/gal).
-------------	---

Display



Make Nuggets Button & LED

It will be disabled when the unit is in the cleaning mode.

Blue LED flashes slowly while the unit is currently making ice.
Blue LED illuminates once the ice bin is full.

- Press once to start making ice, the Make Nuggets LED flashes slowly while the unit is currently making ice.
- Press and hold for 3 seconds to stop making ice, the Make Nuggets LED goes off.



Clean Button & LED

It will be disabled when the unit is in the ice making mode.

It can be used for defrosting, flushing, descaling or sanitizing process.

Blue LED flashes slowly while the unit is currently in the cleaning cycle.
Blue LED flashes quickly once cleaning cycle is required for defrosting process.

- Press and hold for 3 seconds to start the cleaning cycle, the Clean LED flashes slowly while the unit is currently in the cleaning cycle.
- Press and hold for 3 seconds again to stop the cleaning cycle, the Clean LED goes off.



Green LED illuminates when the unit is plugged into power.



Red LED flashes quickly when more water is needed.
Green LED illuminates once water is full.

Dispensing Ice

NOTE	The unit does not dispense ice while the Clean LED flashes.
-------------	--



Dispense Nuggets button

The unit will stop dispensing automatically after 60 seconds elapse.

- Place a cup under the ice dispense point.
- Press and hold to dispense ice, release to stop.



Combination Buttons

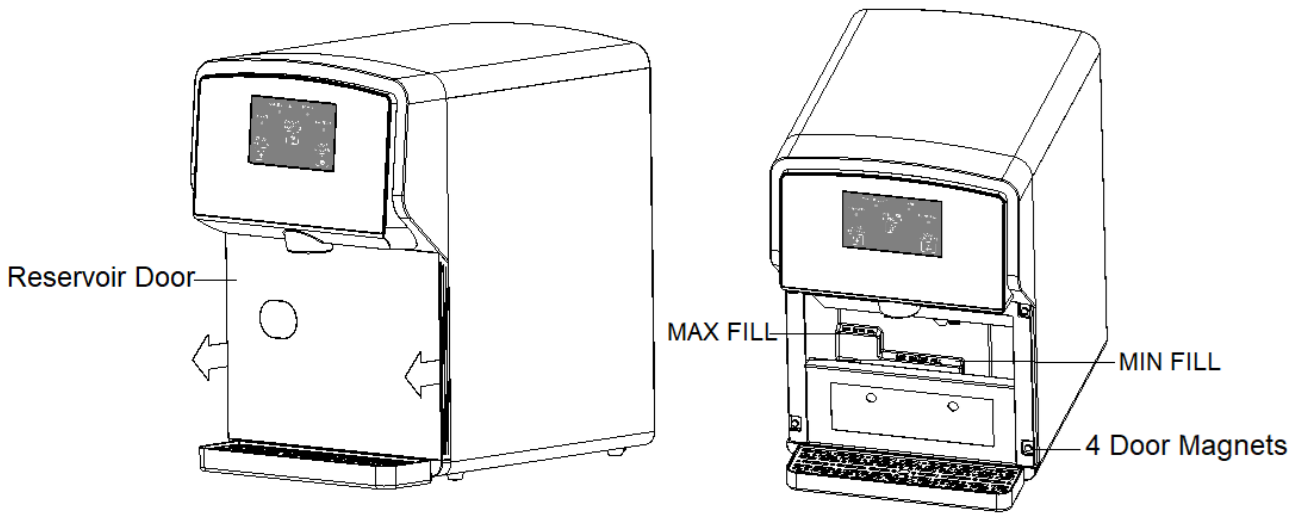
It can be used when the unit can't dispense ice because ice is jammed.

- While you hold the Dispense Nuggets button, press and hold the Clean button to reverse the ice auger.

First time use

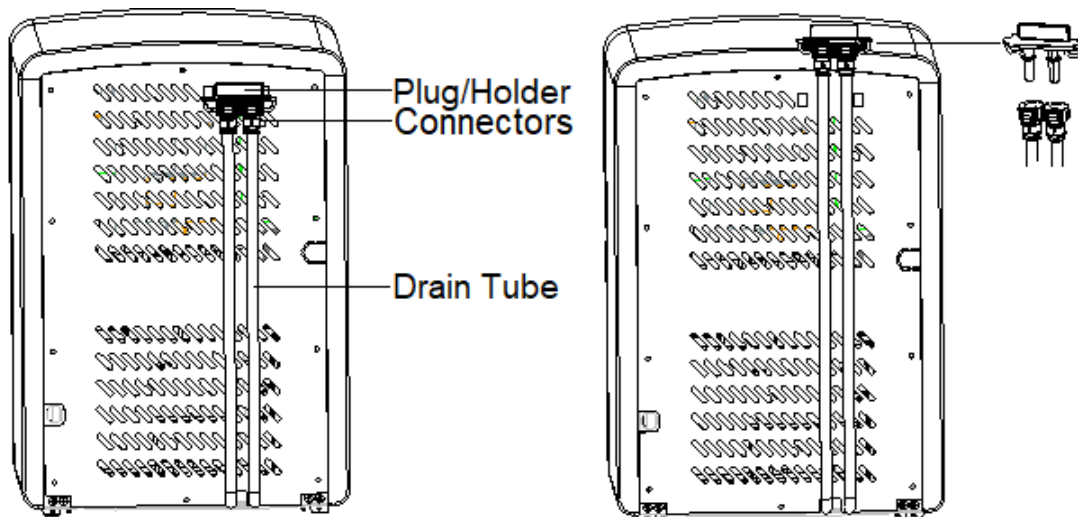
NOTE	For the first time use flush the unit following instructions below. For the first time use dispense several cups of ice and then discard them.
-------------	---

1. Filling the water reservoir for the first time use
 - Remove the reservoir door by simultaneously pulling the left and right sides outwards.
 - Add clean potable water to MAX WATER FILL.
 - Replace the magnetically attached door.



2. Flushing the unit for the first time use

- Plug the unit into power.
- Press and hold the Clean button for 3 seconds to start the cleaning cycle for flushing process. The Clean LED will start flashing slowly (it takes 30 minutes to complete and the Clean LED goes off).
- Unplug the unit when the flushing process is complete.
- Unhook the drain tubes with plugs/holders out of the unit back and lower them to a bucket or sink.
- Press and hold the release buttons on the connectors to disconnect the plugs/holders and release water.
- Reconnect the plugs/holders and hook the tubes with plugs/holders back to the unit.



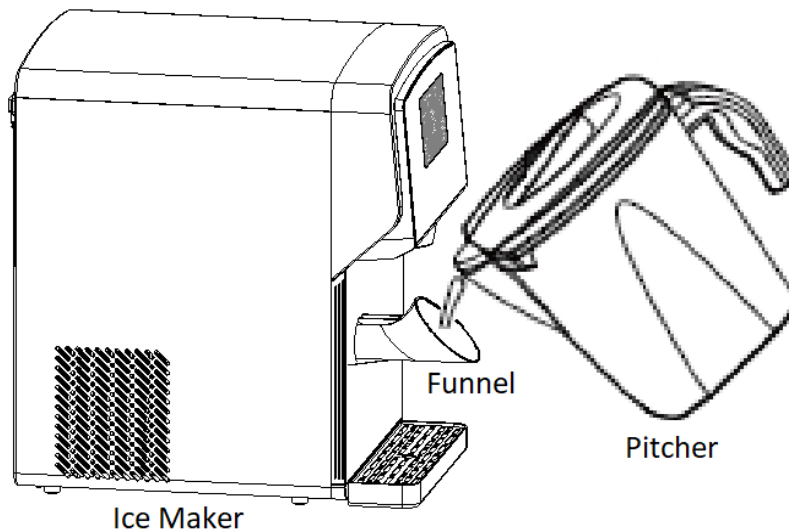
3. Making ice for the first time use

- Add clean potable water to MAX WATER FILL following instructions above.
- Plug the unit into power.

- Press the Make Nuggets button once to start making ice. The Make Nuggets LED will flash slowly to indicate the unit is currently making ice.

Filling the water reservoir when the Water Level red LED flashes quickly

NOTE	Do not add water until Water Level red LED flashes quickly. Do not overfill the reservoir otherwise it may overflow when ice melts completely.
-------------	---



- Insert the funnel into the fill port.
- Add clean potable water using a funnel (included) until the Water Level green LED illuminates along with 5 beeps.
- Remove the funnel to close the fill port.

Or

- Remove the reservoir door to add clean potable water to MAX WATER FILL until you hear 5 beeps.

If the ice dispenser hasn't been interacted in the past 4 hours

- The unit will enter energy saving mode.

If the ice dispenser hasn't been interacted in the past 72 hours

- The unit will enter idle mode.

If you are away on holidays or vacations

- Empty the ice bin and water reservoir.

DISPENSER CARE

CAUTION	Use food grade citric acid powder and chlorine bleach only. Follow the product instructions carefully for First Aid. Keep the unit out of reach of children. Unplug the unit before you drain water.
----------------	---

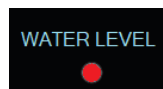
1-How to drain water

- Unplug the unit.
- Unhook the drain tubes with plugs/holders out of the unit back and lower them to a bucket or sink.
- Press and hold the release buttons on the connectors to disconnect the plugs/holders and release water.
- Reconnect the plugs/holders and hook the tubes with plugs/holders back to the unit.

2-How to empty the ice bin and water reservoir

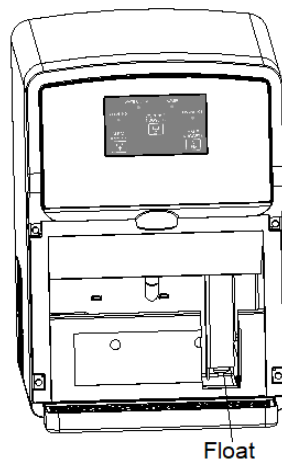
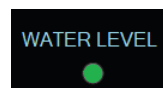
- Dispense ice until no more ice comes out of the ice dispense point.
- Drain water following instructions in Section 1.

3-If the Water Level red LED flashes quickly and the unit stops making ice



- Fill the water reservoir with clean potable water to MAX WATER FILL.

4-If the Water Level green LED doesn't illuminate and the red LED flashes quickly when water is filled to MAX FILL



- Touch the water float as shown and move it upward to resettle. If it works, you can skip the following steps
- Drain water following instructions in Section 1.
- Plug the unit into power again.

5-If the Clean LED flashes quickly and the unit stops making ice (If this section can't solve your problem, please go to section 10 or move the unit to a colder place)



- Empty the ice bin and water reservoir following instructions in Section 2.
- Plug the unit into power.
- Fill the water reservoir with clean potable water to MAX WATER FILL when the WATER LEVEL green LED illuminates.
- Press and hold the Clean button for 3 seconds to start the cleaning cycle for defrosting process (it takes 30 minutes to complete and the Clean LED goes off).
- Press the Make Nuggets button once to start making ice.

6-If all LEDs flash simultaneously

- Drain water following instructions in Section 1.
- Fill the water reservoir with clean potable water to MAX WATER FILL.
- Plug the unit into power again.
- Disconnect the UR tube connector for 5 seconds to release air and reconnect it.

7-If the Make Nuggets LED illuminates but the unit has dispensed all ice

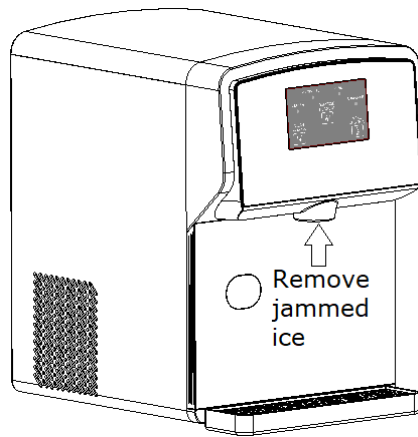


- (Press and hold the Make Nuggets button for 3 seconds to exit the ice making mode first).
- Press and hold the Clean button for 3 seconds to start the cleaning cycle for melting the clumped ice that blocks the infrared beam. Press and hold the Clean button again for 3 seconds in 1 minute to stop.
- Then press the Make Nuggets button once to start making ice.

8-If ice is jammed at the dispense point and the unit can't dispense ice

- Remove the jammed ice in the dispense point with a teaspoon.
- Or break the jammed ice by pressing the Clean button while you hold the Dispense Nuggets button.

- Then press and hold the Dispense Nuggets button to dispense ice.



9-How to flush the unit with clean potable water once a week to prevent high water TDS and hardness

- Empty the ice bin and water reservoir following instructions in Section 2.
- Fill the water reservoir with clean potable water to MAX WATER FILL.
- Plug the unit into power.
- Press and hold the Clean button for 3 seconds to start the cleaning cycle for flushing process. The Clean LED will start flashing slowly (it takes 30 minutes to complete and the Clean LED goes off).
- Drain water following instructions in Section 1.

10-How to descale the unit with citric acid once a month to prevent sediment buildup

- Empty the ice bin and water reservoir following instructions in Section 2.
- Fill the water reservoir with 10 teaspoons of food grade citric acid powder.
- Fill the water reservoir with clean potable water to MAX WATER FILL.
- Mix them well.
- Plug the unit into power.
- Press and hold the Clean button for 3 seconds to start the cleaning cycle for descaling process. The Clean LED will start flashing slowly (it takes 30 minutes to complete and the Clean LED goes off).
- Drain water following instructions in Section 1.
- Plug the unit into power.
- Fill the water reservoir with clean potable water to MAX WATER FILL.
- Press and hold the Clean button for 3 seconds to start the cleaning cycle for rinse process. Press and hold the Clean button again for 3 seconds in 5 minutes to stop rinsing.
- Drain water following instructions in Section 1.
- Repeat the rinse process 2~3 times.

11-How to sanitize the unit with chlorine bleach once a month to prevent bacteria growth

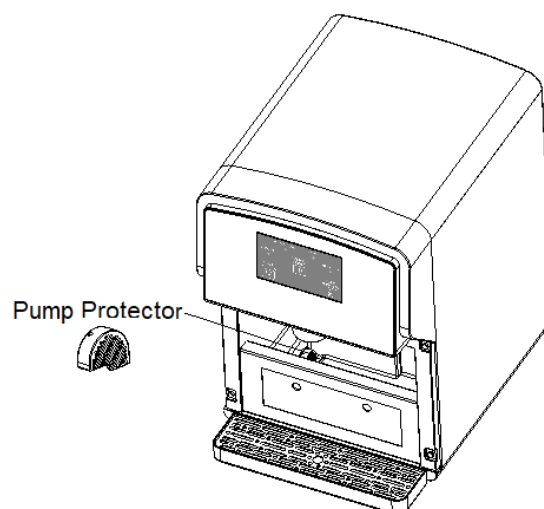
- Empty the ice bin and water reservoir following instructions in Section 2.
- Fill the water reservoir with 1 teaspoon of 5% food grade chlorine bleach.
- Fill the water reservoir with clean potable water to MAX WATER FILL.
- Mix them well.
- Plug the unit into power.
- Press and hold the Clean button for 3 seconds to start the cleaning cycle for sanitizing process. The Clean LED will start flashing slowly (it takes 30 minutes to complete and the Clean LED goes off).
- Drain water following instructions in Section 1.
- Plug the unit into power.
- Fill the water reservoir with clean potable water to MAX WATER FILL.
- Press and hold the Clean button for 3 seconds to start the cleaning cycle for rinse process. Press and hold the Clean button again for 3 seconds in 5 minutes to stop rinsing.
- Drain water following instructions in Section 1.
- Repeat the rinse process 2~3 times.

12-How to clean the air vent every 3 months to prevent condenser from blocking

- Unplug the unit.
- Use a condenser brush or a vacuum cleaner with an extended attachment to clean the air vent.
- Plug the unit into power.

13-Cleaning the pump protector when it is dirty

- Drain water following instructions in Section 1.
- Remove the water reservoir door and lift up the pump protector.
- Clean the pump protector with dishwashing liquid and rinse it with potable water.
- Replace the pump protector and press it down.



INSTALLATION INSTRUCTIONS

Location Requirements

CAUTION	This unit is designed for indoor use only.
----------------	---

- Place the unit away from direct sunlight and heat sources.
- Do not install the unit in moist areas.
- Do not install the unit in garage.
- Do not install the unit where the ambient temperature range will be below 50 °F or above 90 °F. Otherwise, the unit will not be able to work properly.
- The unit must be placed in a properly ventilated location to prevent heat build-up generated by the refrigeration system. Failure to do so will prevent the unit from cooling properly, and may result in damage to unit components as well as its contents.
- The unit must be installed on a counter that is level and strong enough to support up to 50 lb.

Clearance Requirements

CAUTION	This unit is designed for countertop installation only.
----------------	--

- Never block the air vent on the left side.
- Allow for minimum 4 inches of clearance on both left and right sides.
- Allow for minimum 2 inches of clearance on the back.
- Allow for minimum 1/2 inch of clearance on the top.

Electrical Requirements

DANGER	It is required that you connect this unit only to a GFCI protected receptacle. It is strongly recommended that you do not use an adapter or an extension cord to connect this unit because of potential safety hazards.
---------------	--

- A dedicated 120V, 60Hz, 15A fused, grounded electrical supply is required. It is recommended that a separate circuit serving only your appliance be provided.
- Only connect to properly polarized outlets.
- Use outlets that cannot be turned off by a switch.
- Only plug the unit into a grounded 3 prong outlet.

TROUBLESHOOTINGS

Complaint	Possible Causes	Response
Unit does not work and the Power LED is not lit	a. There is no power at outlet. b. Power cord is unplugged. c. Power cord is broken. d. Control PCB is defective or with wiring problems. e. Display PCB is defective or with wiring problems.	a. Check for outlet and breaker/fuse. b. Plug in the power cord. c. Call for service. d. Call for service. e. Call for service.
Unit does not make ice	a. The ice maker is turned off. b. Clearances are too small. c. Ambient temperature is too high. d. Water Level red LED flashes quickly and the water reservoir is low. e. Make Nuggets LED illuminates but unit has dispensed all ice. f. Clean LED flashes quickly and defrosting is required. g. All LEDs flash simultaneously. h. The water pump, water level sensor, ice engine motor or cooling system is defective.	a. Press Make Nuggets to turn the ice maker on. b. Check the clearance requirements. c. Check the location requirements. d. Fill the water reservoir with clean potable water. e. Use the cleaning cycle to melt clumped ice that blocks the infrared beam. f. Use the cleaning cycle to defrost. g. Drain the unit and plug the unit into power, otherwise call for service. h. Call for service.
Unit does not dispense ice	a. There is no ice in the ice bin. b. Ice is jammed in the ice bin. c. Ice is jammed in the ice dispense point d. The ice bin auger or motor, control PCB or display PCB is defective.	a. See Unit does not make ice b. Use Dispense Ice and Clean button combination to break the jammed ice. c. Use a spoon to remove the jammed ice. d. Call for service.
Unit leaks water	a. The water reservoir is overfull. b. The drip tray is overflow. c. The water reservoir or tubing is broken. d. The water level sensor is defective.	a. Don't overfill the reservoir. b. Empty it. c. Call for service. d. Call for service.

You may hear the following normal operating sounds

- You may hear a boiling, rattling or gurgling sound produced by flow of refrigerant through the evaporator.
- You may hear air being forced through the condenser by the condenser fan.
- You may hear a clicking sound produced by the refrigerant valve or water valve.
- You may hear a high pitched hum or pulsating sound produced by the compressor.
- You may hear a high pitched sound produced by the gear motor.
- You may hear ice being ejected from the ice engine to the ice bin.

SERVICE & WARRANTY

The manufacturer has a policy of continuous improvement on its products and reserves the right to change materials and specifications without notice.

Contact us with any questions at

800-433-9938
info@kbgoodice.com

24412 Main St. Suite 105, Carson, CA 90745

LIMITED WARRANTY: Seller warrants that the goods will be free of defects in materials and workmanship for a period of 12 (twelve) months from date of sale, removal and re-installation of unit is not included in warranted labour. For a scratch and dent or refurbished unit, warranty is 3 months from your dated invoice (parts for function only, not cosmetic). There is no warranty on parts purchased separately. Purchaser's exclusive remedy is limited, at Seller's option; to repair or replace defective parts with either new or factory reconditioned parts. Purchaser is responsible for shipping the unit pre-paid to designated facility and Seller will pay return shipping charges in the continental United States for items repaired under warranty within 12 (twelve) months from date of sale. Improper placement of the unit will void the warranty. This limited warranty does not cover damage due to such things as accident, misuse, abuse, mishandling, neglect, acts of God, fires, earthquakes, floods, high winds, government, war, riot or labour trouble, strikes, lockouts, delay of carrier, unauthorized repair, or any other cause beyond the control of the Seller, whether similar or dissimilar to the foregoing. Seller is not responsible for any damages caused to Seller's property resulting from the good. This limited warranty applies only inside the Continental US. (Alaska, Puerto Rico and Hawaii are not warranted.)

Seller is not responsible for incidental or consequential damages, and there are no warranties, expressed or implied, which extend beyond the Limited Warranty described above. The implied warranties of merchantability and of fitness for a particular purpose are hereby expressly disclaimed. Some states do not allow the exclusion of incidental or consequential damages, or a waiver of the implied warranties of fitness and/or merchantability, so the above limitations may not apply to you. This warranty gives you specific legal rights and you may also have other rights which vary from state to state. In the event of any dispute between Seller and Purchaser arising out of or relating to these terms and conditions or to the goods sold generally, Purchaser must first file a written claim with Seller within ten days of the occurrence giving rise to the claim and wait an additional thirty days for a response before initiating any legal action. The sale and all terms are subject to Nevada law. Any legal proceeding arising out of or relating to these terms and conditions or to the goods sold generally shall be brought solely and exclusively in the City of Las Vegas. In no event may Purchaser initiate any legal proceeding more than six months after the occurrence of the event giving rise to the dispute.

The above terms and conditions are the only ones governing this transaction and Seller makes no oral representations of any kind. These Terms and Conditions can only be modified in writing, signed by both Purchaser and Seller.

KBice is a registered trademark of Florida Appliances Inc. All products, features, and services are subject to change without notice. We cannot guarantee the accuracy of the contents of this document. We disclaim liability for errors, omissions, or future changes.

Copyright©2022 Florida Appliances Inc. All rights reserved.