

KBice Self-Dispensing Nugget Ice Maker Dispenser

QuickStart Guide — FDFM1JA01

INSTALLATION

Clearance Requirements

CAUTION

This unit is designed for household countertop use only.
Never block the air vent on the left side.
The unit operates in an area with a maximum ambient temperature of 85°F. Therefore, the warmer ambient temperature will result in reduced ice capacity and quality.
Never operate this unit in direct sunlight.
Allow for a minimum clearance of 4 inches on both left and right sides, 2 inches on the back, and ½ on the top to ensure the proper functionality of the unit.

Scan here for instructional video:



Electrical Requirements

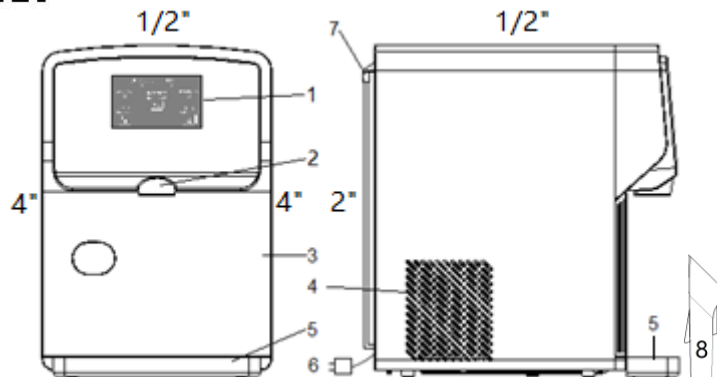
DANGER

This unit requires that you connect only to a GFCI protected receptacle.
Strongly advised that you do not use an adapter to connect this unit because of safety hazards.
A dedicated 120V, 60Hz, 15A fused, grounded electrical supply is required.

Water Requirements

TDS

This unit requires purified or distilled water, which significantly improves the ice quality and ice making performance. Water with a TDS or hardness of <100 PPM is also acceptable. Water with over >100 PPM will cause the unit to go into "Clean" Mode frequently and not produce ice.



1. Display Panel
2. Ice Dispense Point
3. Water Fill Port
4. Air Vent
5. Drip Tray
6. Power Cord
7. Drain Tube Plugs/Holder
8. Funnel

(The funnel is located inside the reservoir)



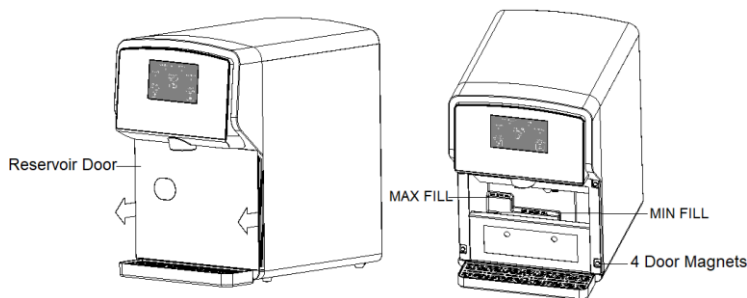
www.kbgoodice.com

Call or Text "Help" 800.433.9938 | info@kbgoodice.com | www.kbgoodice.com

USE OF DISPENSER

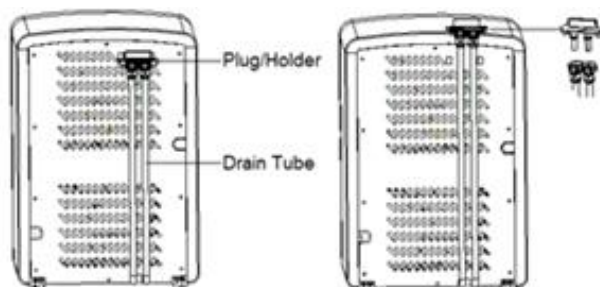
1. Filling the water reservoir for the 1st time use

- Remove the reservoir door by simultaneously pulling both the left and right sides towards you.
- Add water to MAX WATER FILL and then replace the door.
- **Do not plug the unit into power until you have filled water to the max fill line.**



2. Flushing the unit for the 1st time use

- Plug the unit into power and the Power LED will illuminate in green. You will hear 5 beeps if the reservoir is full.
- Press and hold the Clean button for 3 seconds to start the cleaning cycle for flushing process. The Clean LED will start flashing slowly (it takes 30 minutes to complete and the Clean LED goes off).
- Unplug the unit when the flushing process is complete.
- Unhook the plugs/holders with drain tubes out of the unit back and lower them to a bucket or sink.
- Press and hold the release button to disconnect the plugs/holders to release water.
- Reconnect and hook them back to the unit.

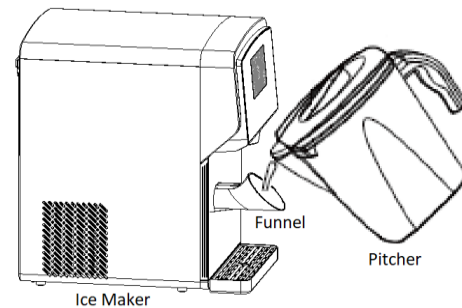


3. Making ice for the 1st time use

- Add water to MAX WATER FILL following instructions above.
- Plug the unit into power and the Power LED will illuminate in green. You will hear 5 beeps if the reservoir is full.
- Press the Make Nuggets button once to start making ice. The Make Nuggets LED will flash slowly to indicate the unit is currently making ice.

4. Using the funnel to add water

- Add water when the Water Level LED flashes quickly in red.
- Insert the funnel into the water fill port.
- Add water until the Water Level LED illuminates in green and you hear 5 beeps.
- Remove the funnel to close the fill port.



ADD WATER

Do NOT add water until the Water Level LED flashes quickly in red. Overfilling the reservoir may lead to water overflowing when ice melts completely.

CLEAN UNIT

Clean the unit once a month with a solution. Add 12 teaspoons of citric acid or 1 cup of white vinegar.